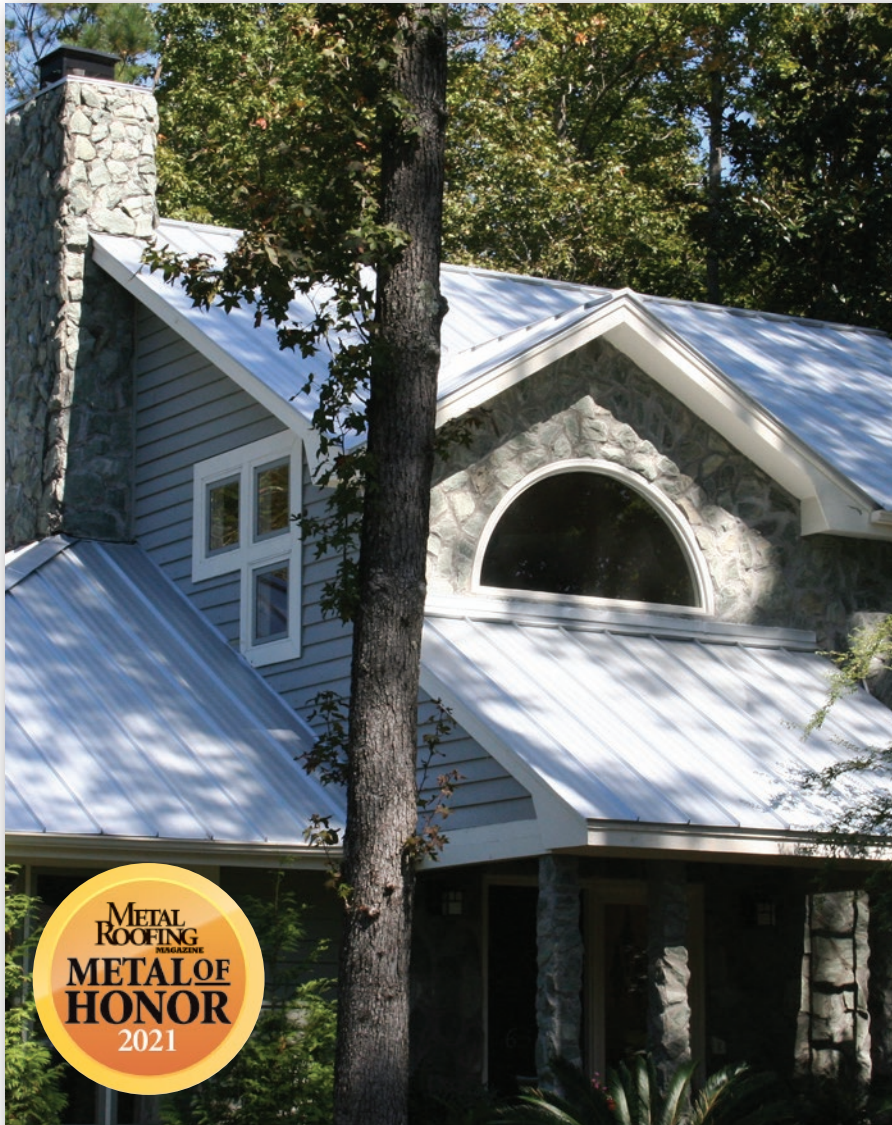


# SL150 STANDING SEAM

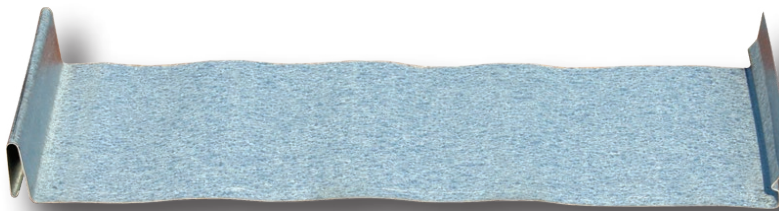


Your Roof. For Life!  
On Time and Complete!™



METAL ROOFING  
AWARDS  
**METAL OF  
HONOR**  
2021

Contact your sales representative for more information.



## Description

Standing seam panels have been used on traditional and contemporary homes and businesses for more than a century. Their clean, graceful lines have been an enduring favorite on a wide range of architecture. Our SL150 (formerly CSL) standing seam panel has 1.5" high snap locking ribs that exhibit a more knife-edge profile than our Advantage-Lok panel's ribs. SL150 panels are attached to the roof deck with clips and are advantageous for applications requiring thermal movement or endlap. SL150 is excellent for up-scale residential and commercial applications.

## Specifications

- Standing seam concealed fastener panel for roof applications
- Snap locking ribs
- Installs with clips
- 3:12 minimum recommended roof pitch
- Suitable for solid decking

## Substrates and Coatings

- 26 and 24 gauge high strength steel
- 0.032" aluminum
- Anti-corrosion AZ50 Galvalume coating for painted and AZ55 for unpainted steel
- 26 ga available in 45 Year and Lifetime Siliconized Modified Polyester Paint System
- 24 ga and aluminum available in PVDF (Kynar 500 or Hylar 5000) Paint System

## Finish Options

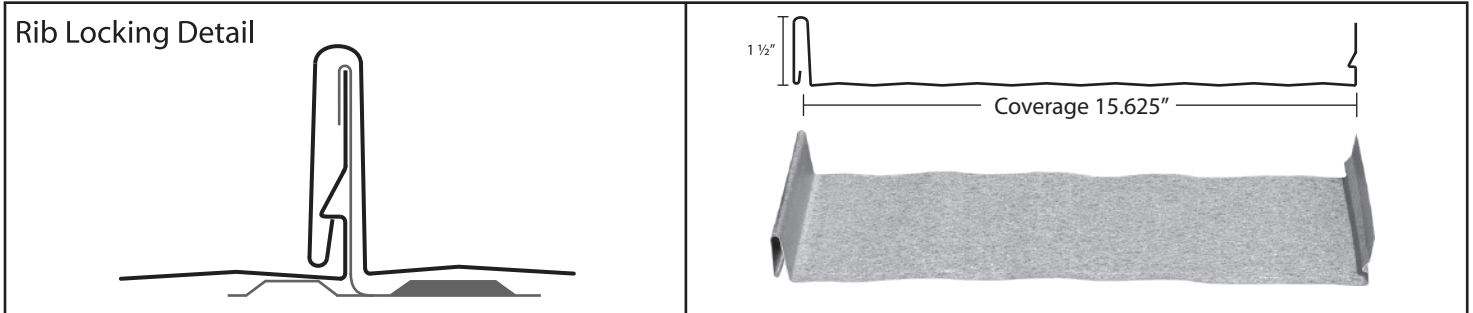
- 24 ga panels use PVDF (Kynar) paints
- 26 ga panels use Siliconized Modified Polyester paints
- Energy Star Certified Colors available Unpainted Galvalume®

## Approvals and Certifications

- Florida Building Code High Velocity Hurricane Zone Approved
- (Covers Miami-Dade Approval)
- Energy Star Certified
- Highest UL Ratings for Wind Uplift, Fire, and Impact Resistance
- Metal Construction Association Certified
- No Coastal Set Back



## PANEL DETAILS



## CERTIFICATIONS & TESTING

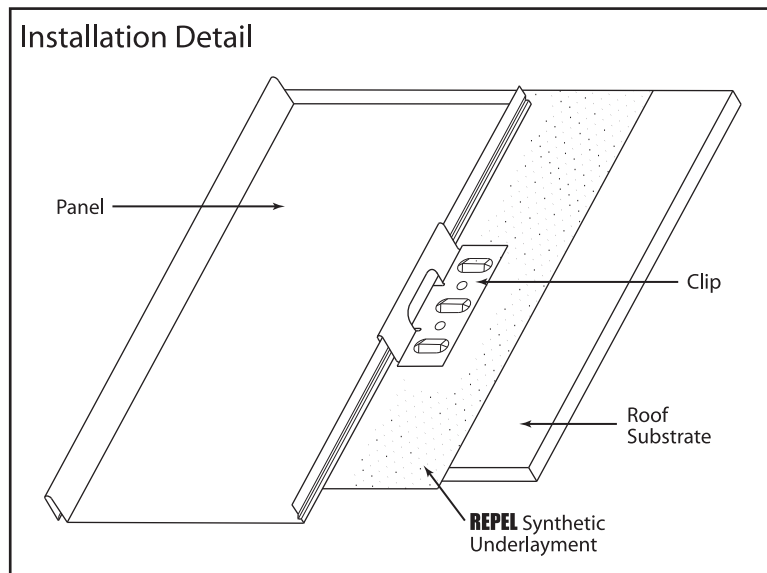
- UL 580 Construction #589
- UL Class 4 Impact
- UL 790 Fire Resistance Class A
- ASTM E-283 Air, E-331 Water

Florida Building Code Approved:

- 9443.2 - 24 gauge over 15/32" plywood
- 20484.4-R2 - 0.032" Aluminum over 15/32" plywood

## INSTALLATION

SL150 panels are installed with clips that attach to the roof deck with pancake head wood screws. Once the first panel is secured with clips, the overlapping panel rib snaps over the top of the clip thereby concealing the clip and locking both panels in place. No rib crimping tools are required. SL150 panels should be installed on a solid deck with a minimum slope of 3:12.



**BEFORE BEGINNING INSTALLATION OF THIS PRODUCT, CHECK LOCAL BUILDING CODES.**

\*\* For more information, call (888) MTL-ROOF or visit our website at [www.unioncorrugating.com](http://www.unioncorrugating.com) \*\*